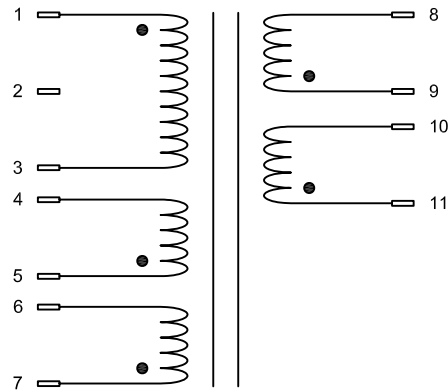


ELECTRICAL SCHEMATIC FLYBACK TRANSFORMER

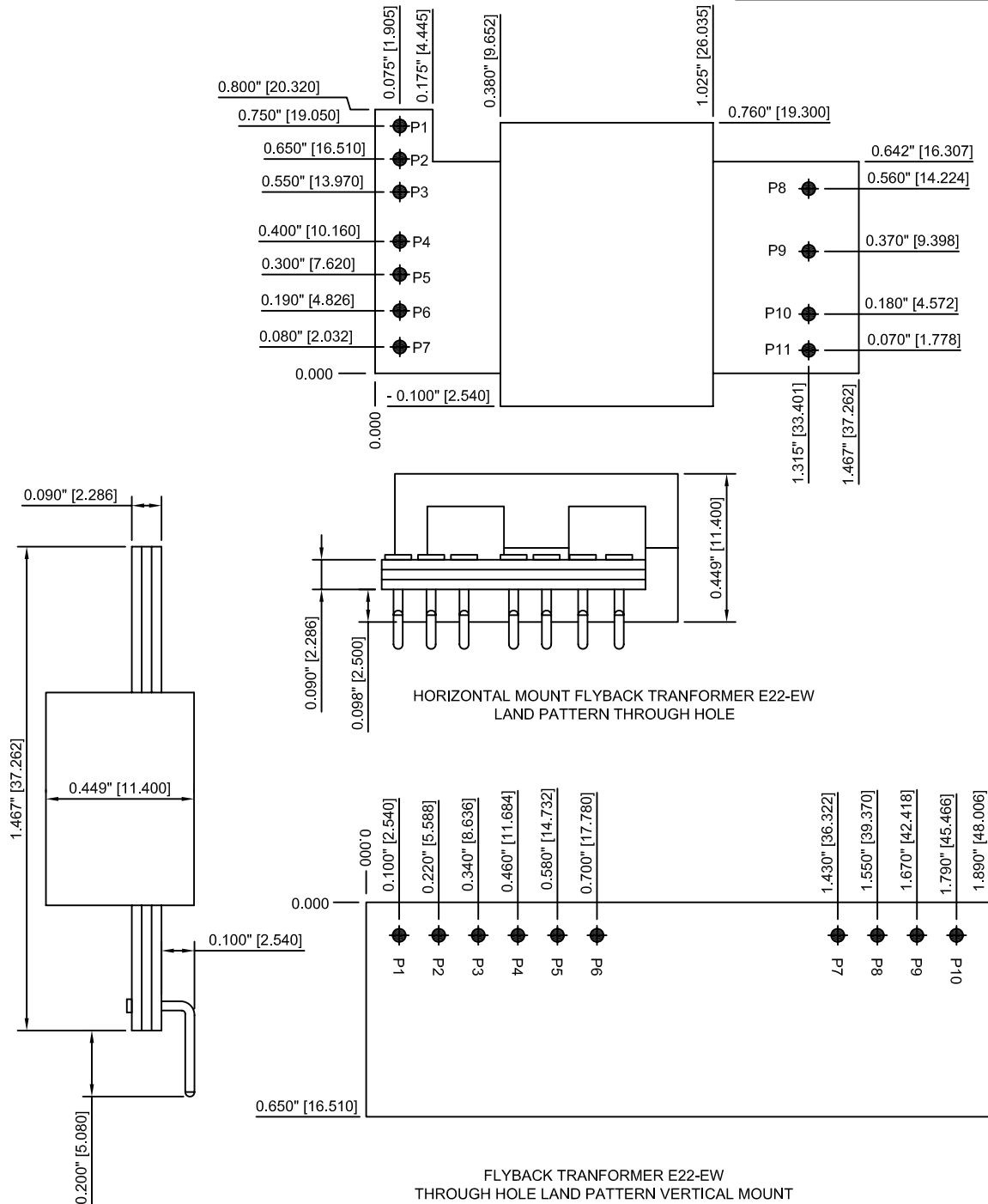


NOTE : DO NOT CONNECT TO PIN 2

- Input Voltage Range = 100 - 450 VDC
- Maximum Out Power = 30 Watts
- Operating Frequency = 70 kHz to 200 kHz
- Topology = Flyback
- Maximum Duty Cycle = 0.45
- Peak Primary Current = 1.65 Amps
- Primary Input = Pins 1&3
- Isolation Input to any output = 4000 VDC for 2 sec
- Operating Temperature = -30°C to 150°C

OUTPUT	INPUT PINS	OUTPUT VOLTAGE	OUTPUT CURRENT	OUTPUT POWER
Auxiliary One	4 - 5	16 Volts	0.6 Amps	9.6 Watts
Auxiliary Two	6 - 7	16 Volts	0.085 Amps	1.36 Watts
Secondary One	7 - 8	16 Volts	0.75 Amps	12.0 Watts
Secondary Two	9 - 10	16 Volts	0.385 Amps	6.14 Watts

**Variations of input to output, frequency and output power available upon request



*** ROUND HOLES ARE 0.040" DIAMETER